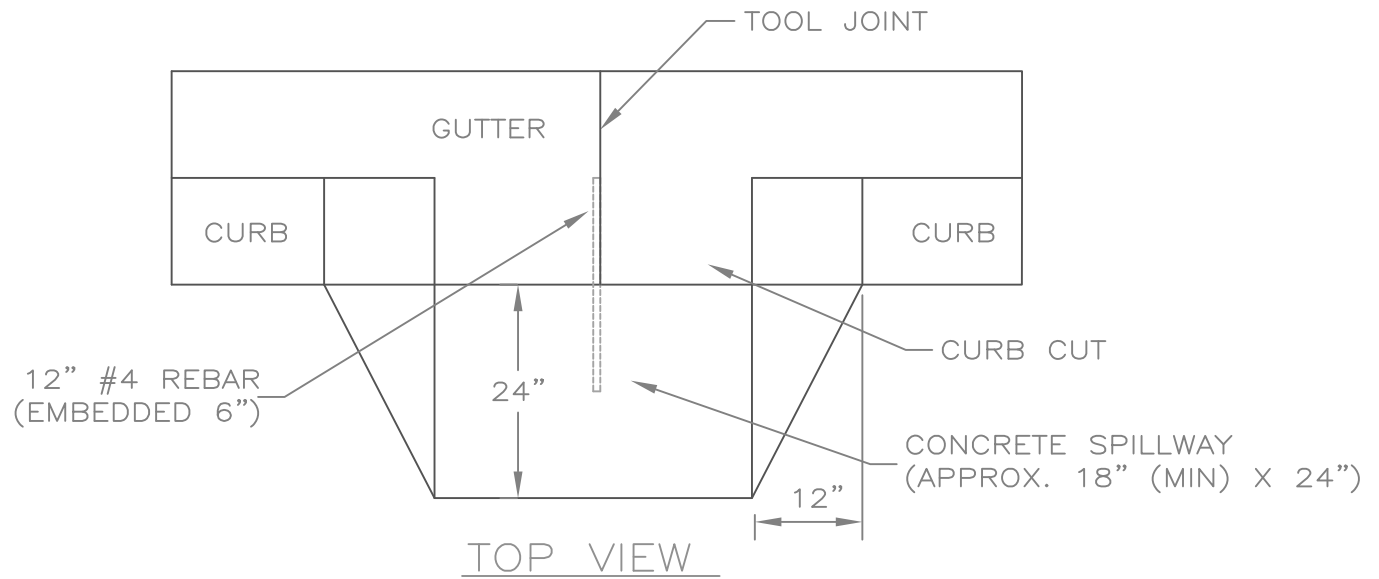
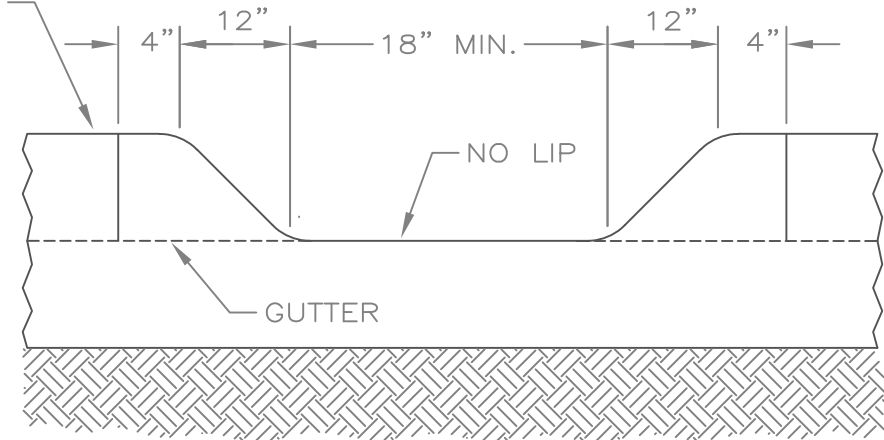


CROSS SECTION



ROLLED CURB OR STANDARD CURB AND GUTTER



CURB CUT

NOTES:

1. CONCRETE SPILLWAYS SHALL BE CONSTRUCTED WITH A 4-INCH DROP OR AT THE SLOPE OF ADJACENT GROUND, WHICHEVER IS GREATER.
2. CURB OPENINGS GREATER THAN 18" MAY BE REQUIRED IN CERTAIN APPLICATIONS AND THE APPROPRIATE OPENING DIMENSION SHALL BE PROVIDED AS INDICATED ON THE PLAN DRAWINGS.
3. AT THE SPILLWAY DISCHARGE, THE FINISHED ELEVATION OF DRESSED TOPSOIL SHALL BE 1"-2" BELOW THE SPILLWAY DISCHARGE TO ACCOMODATE SOD GROWTH.

APPROVED BY:

POST FALLS STANDARDS FOR PUBLIC WORKS CONSTRUCTION

 3/19/19
CITY ENGINEER, P.E. DATE:

DRAINAGE CURB CUT

STANDARD DRAWING
NO. SD 603