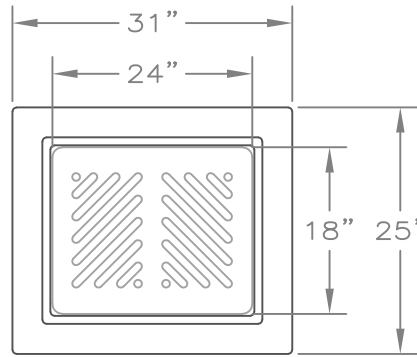
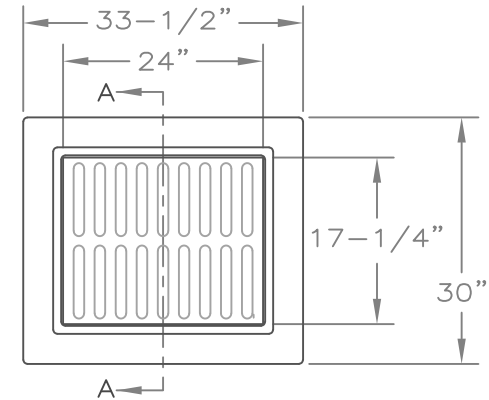


"OLYMPIC" SM60V
(BYPASS)



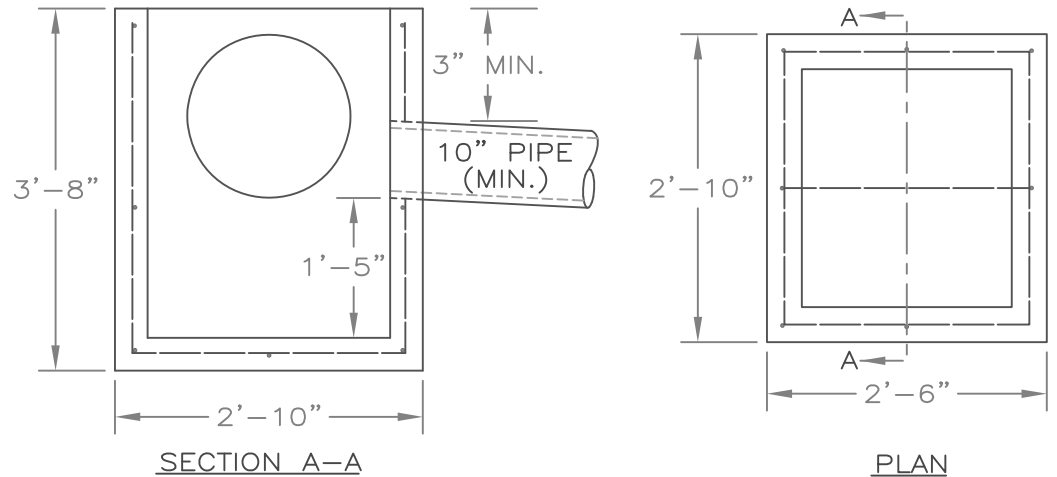
"OLYMPIC" SM60
(LOW POINT)



"OLYMPIC" SM-44
(ROLLED CURB)

NOTES:

1. TYPE 1 CATCH BASIN "WILBERT #1827 OR APPROVED EQUAL.
2. A SAND COLLAR SHALL BE GROUTED INTO THE CATCH BASIN WHEN USED WITH PVC PIPE.
3. CASTING TYPE SHALL BE AS INDICATED IN THE DRAWING OR APPROVED EQUAL.
4. CATCH BASINS SHALL NOT BE LOCATED WITHIN DRIVEWAY APPROACHES OR PEDESTRIAN RAMPS.



APPROVED BY:

POST FALLS STANDARDS FOR PUBLIC WORKS CONSTRUCTION

[Signature] 3/19/19
CITY ENGINEER, P.E. DATE:

**TYPE 1 CATCH BASIN
AND GRATE**

STANDARD DRAWING
NO. SD 602