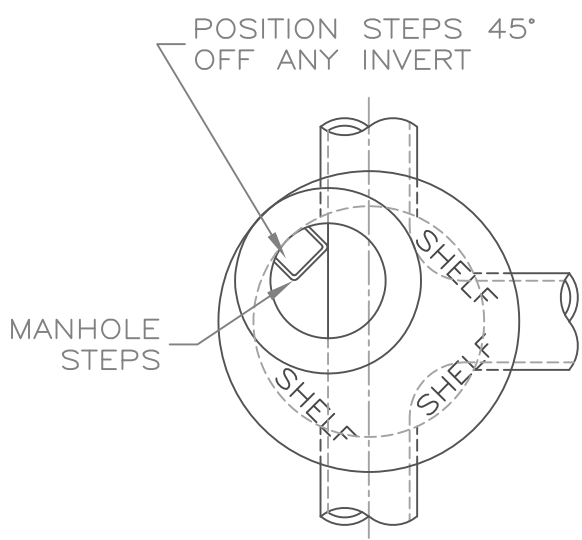


LID DETAIL

SECTION VIEW



PLAN VIEW

NOTES:

1. MANHOLE DIAMETERS SHALL BE 48" FOR PIPE DIAMETERS 24 INCHES OR LESS, UNLESS INDICATED OTHERWISE ON THE PLANS.
2. THICKENED COLLARS SHALL BE INSPECTED DURING INSTALLATION. SEE SD 404
3. MANHOLE LIDS SHALL BEAR THE CITY OF POST FALLS LOGO AS INDICATED IN THE LID DETAIL.

APPROVED BY:

 CITY ENGINEER, P.E. 3/19/19 DATE:

POST FALLS STANDARDS FOR PUBLIC WORKS CONSTRUCTION

MANHOLE DETAIL

STANDARD DRAWING
 NO. **SD 501**