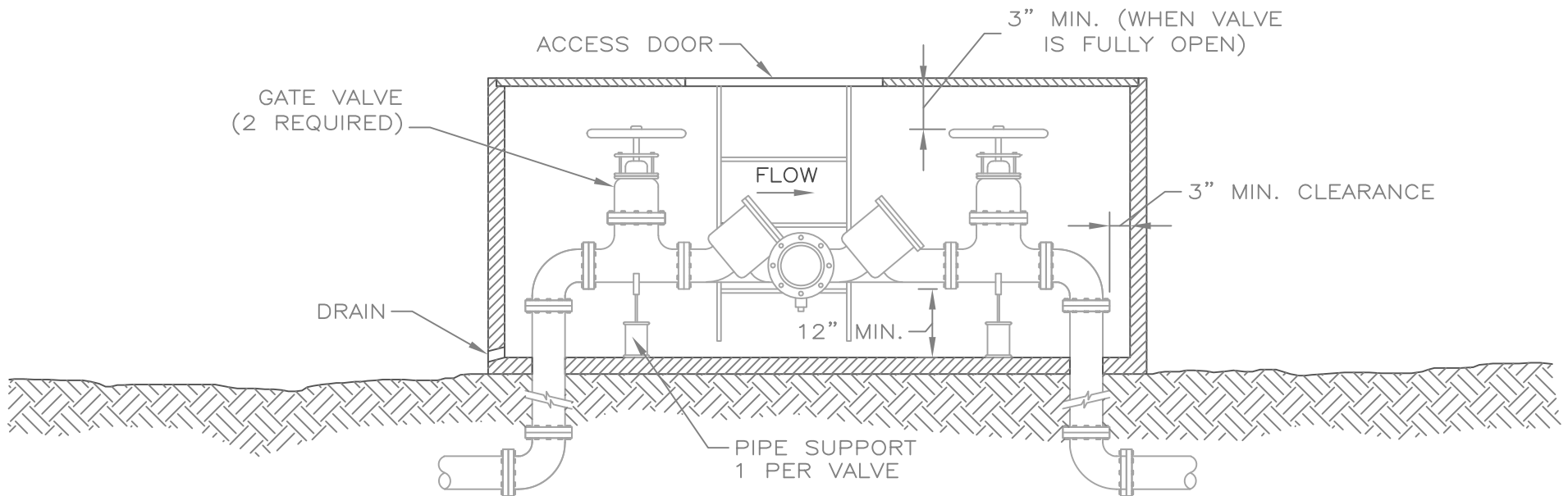


TOP VIEW



SIDE VIEW

NOTES:

1. FOR PRESSURE ASSEMBLIES 2-1/2" THRU 10" A WILKINS MODEL 375 ADAR SHALL BE UTILIZED.

APPROVED BY:

POST FALLS STANDARDS FOR PUBLIC WORKS CONSTRUCTION

[Signature] 3/19/19
CITY ENGINEER, P.E. DATE:

**REDUCED PRESSURE
BACKFLOW ASSEMBLY**

STANDARD DRAWING
NO. SD 409