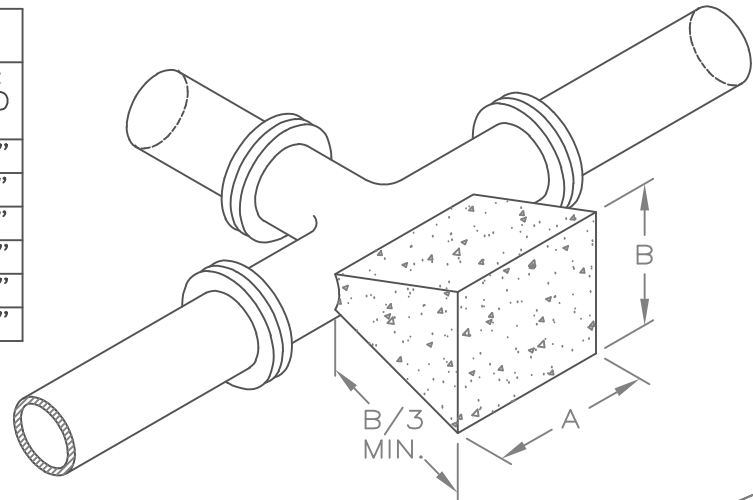


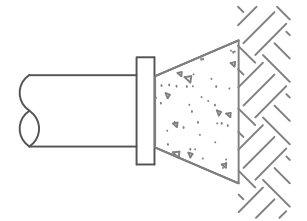
DIMENSIONS FOR THRUST BLOCKING								
FITTING SIZES	TEES & PLUGS		90 BEND		45 BEND & WYES		REDUCERS & 22 1/2 BEND	
	A	B	A	B	A	B	A	B
4"	2'-0"	1'-6"	2'-0"	1'-6"	2'-0"	1'-0"	2'-0"	0'-6"
6"	2'-0"	2'-0"	2'-6"	2'-6"	2'-0"	2'-0"	2'-0"	1'-0"
8"	3'-0"	2'-6"	3'-6"	3'-0"	2'-6"	2'-6"	2'-0"	1'-6"
10"	3'-6"	3'-6"	4'-0"	4'-0"	3'-0"	3'-0"	2'-6"	2'-0"
12"	4'-0"	4'-0"	5'-0"	5'-0"	4'-0"	3'-6"	3'-0"	2'-6"
14"	5'-6"	4'-0"	6'-6"	5'-0"	5'-0"	3'-6"	3'-6"	2'-6"

THIS TABLE BASED ON 150 PSI MAIN PRESSURE  
& 2000 PSF SOIL BEARING PRESSURE.

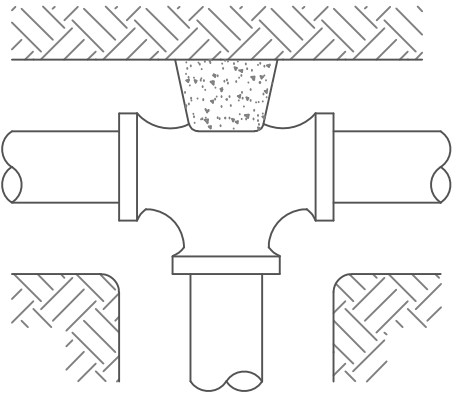


**NOTES:**

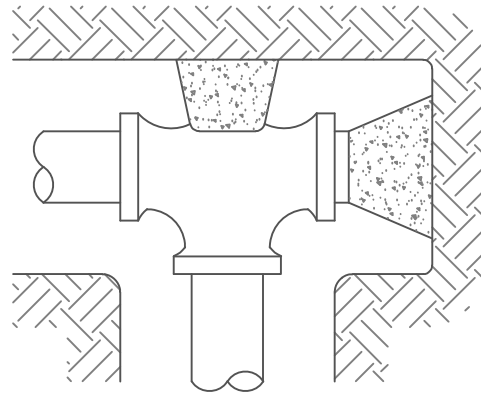
1. THRUST BLOCK SHALL BE CAST IN PLACE AGAINST UNDISTURBED OR COMPACTED SOIL.
2. VISQUEEN SHALL BE PLACED BETWEEN FITTING AND THRUST BLOCK, WITH ALL BOLTS LEFT FREE OF CONCRETE AND ACCESSIBLE BY WRENCH.



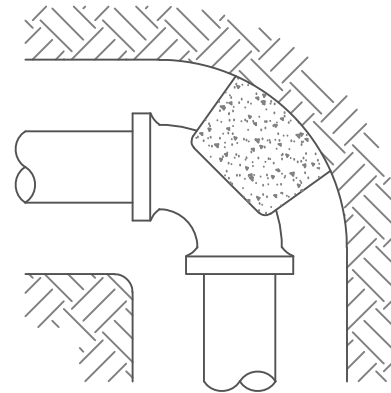
END PLUG



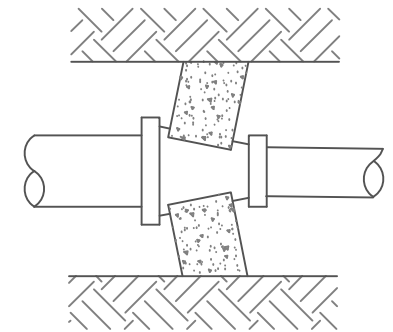
TEE



TEE (PLUGGED)



BEND



REDUCER

APPROVED BY:

POST FALLS STANDARDS FOR PUBLIC WORKS CONSTRUCTION

 3/19/19  
CITY ENGINEER, P.E. DATE:

**THRUST BLOCK SPECIFICATIONS**

STANDARD DRAWING  
NO. SD 403