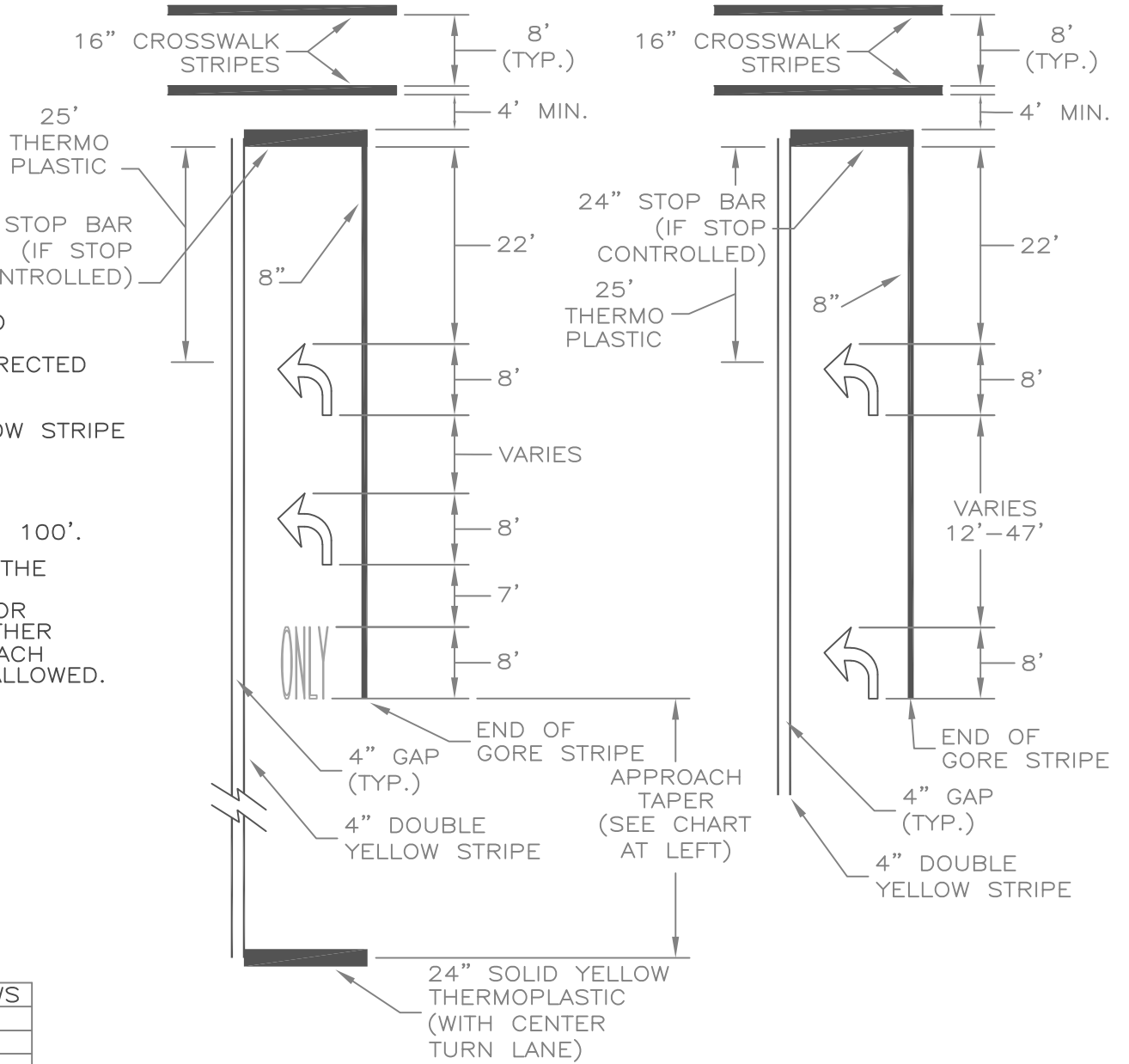


STORAGE LENGTH > 75'.

STORAGE LENGTH < 75'.



NOTES:

1. ROADWAY MARKING SHALL CONFORM WITH SD 2018.
2. MIN. STORAGE LENGTH 50'.
3. CROSSWALKS SHALL BE PROVIDED AT STOP OR SIGNAL CONTROLLED INTERSECTIONS ONLY, UNLESS DIRECTED BY THE CITY ENGINEER.
4. THE FIRST 25' OF DOUBLE YELLOW STRIPE ALONG TURN POCKETS SHALL BE CONSTRUCTED WITH PREFORMED THERMOPLASTIC MARKING.
4. MAX. DISTANCE BETWEEN ARROWS 100'.
5. APPROACH TAPER LENGTH FROM THE PROVIDED TABLE SHALL BE USED AT INTERSECTIONS WITH COLLECTOR OR ARTERIAL STREETS. IN ALL OTHER APPLICATIONS, A MINIMUM APPROACH TAPER LENGTH OF 50' MAY BE ALLOWED.

APPROACH TAPER LENGTH

SPEED	LENGTH
25	125
30	150
35	175
40	200
45	225
50	250

ARROW REQUIREMENTS

STORAGE LENGTH	# ARROWS
50-150 FEET	2
151-250 FT	3
GREATER THAN 250 FT	4

APPROVED BY:

POST FALLS STANDARDS FOR PUBLIC WORKS CONSTRUCTION

[Signature] 3/19/19
CITY ENGINEER, P.E. DATE:

TYPICAL TURN POCKET STRIPING

STANDARD DRAWING
NO. SD 2020