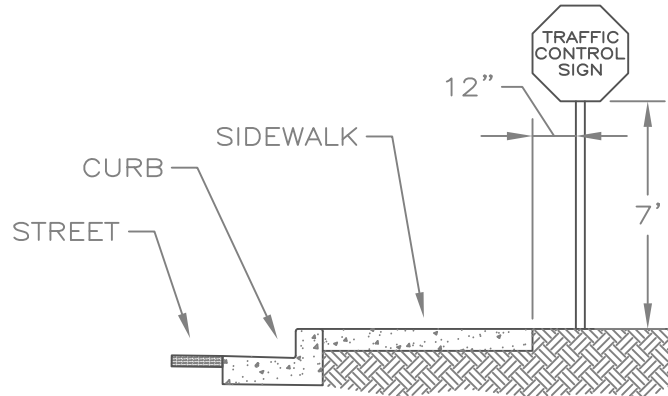
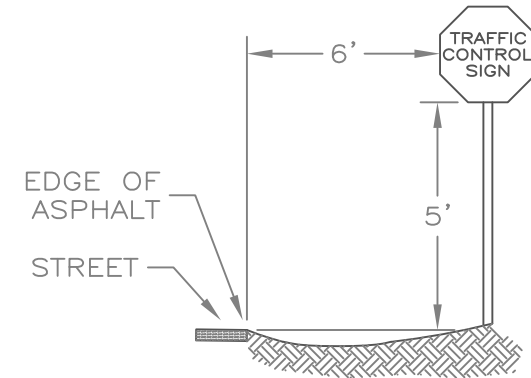


BEHIND CURB



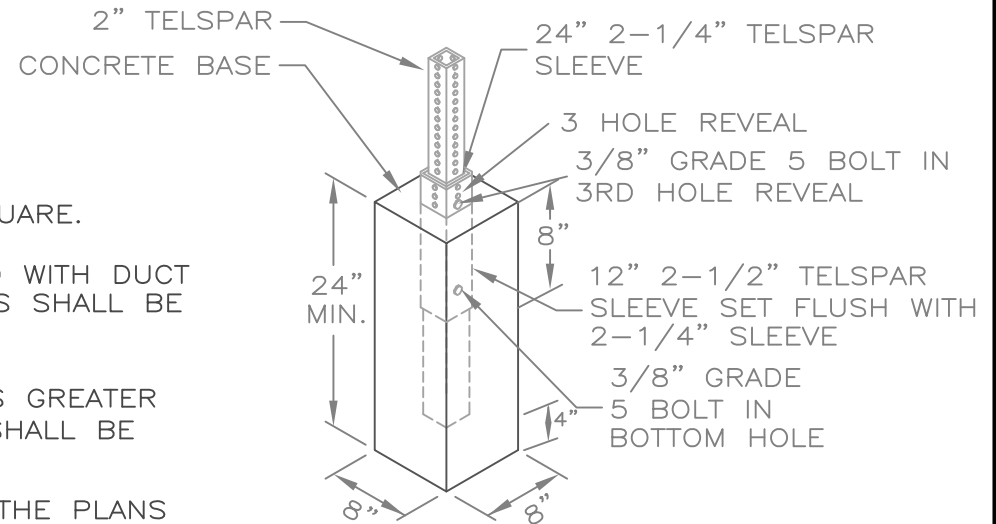
BEHIND SIDEWALK



NO CURB OR SIDEWALK

NOTES:

1. CONCRETE FOOTINGS SHALL BE PREFORMED 8" SQUARE.
2. 2-1/2" AND 2-1/4" SLEEVES SHALL BE WRAPPED WITH DUCT TAPE PRIOR TO EMBEDMENT IN CONCRETE. SLEEVES SHALL BE EMBEDDED TO 20".
3. FOR APPLICATIONS WHERE THE TOTAL SIGN AREA IS GREATER THAN 1300 IN<sup>2</sup> (36"x36"), A 30" DEEP FOOTING SHALL BE UTILIZED.
4. ALL SIGNAGE SHALL BE INSTALLED AS SHOWN ON THE PLANS AND IN CONFORMANCE WITH THE MUTCD, CURRENT EDITION.
5. ALL SIGN FOOTINGS SHALL BE VISUALLY INSPECTED PRIOR TO BACKFILLING AND COMPACTION



FOOTING DETAIL

APPROVED BY:

POST FALLS STANDARDS FOR PUBLIC WORKS CONSTRUCTION

*[Signature]* 3/19/19  
CITY ENGINEER, P.E. DATE:

**STREET SIGN PLACEMENT DETAIL**

STANDARD DRAWING  
NO. SD 2016