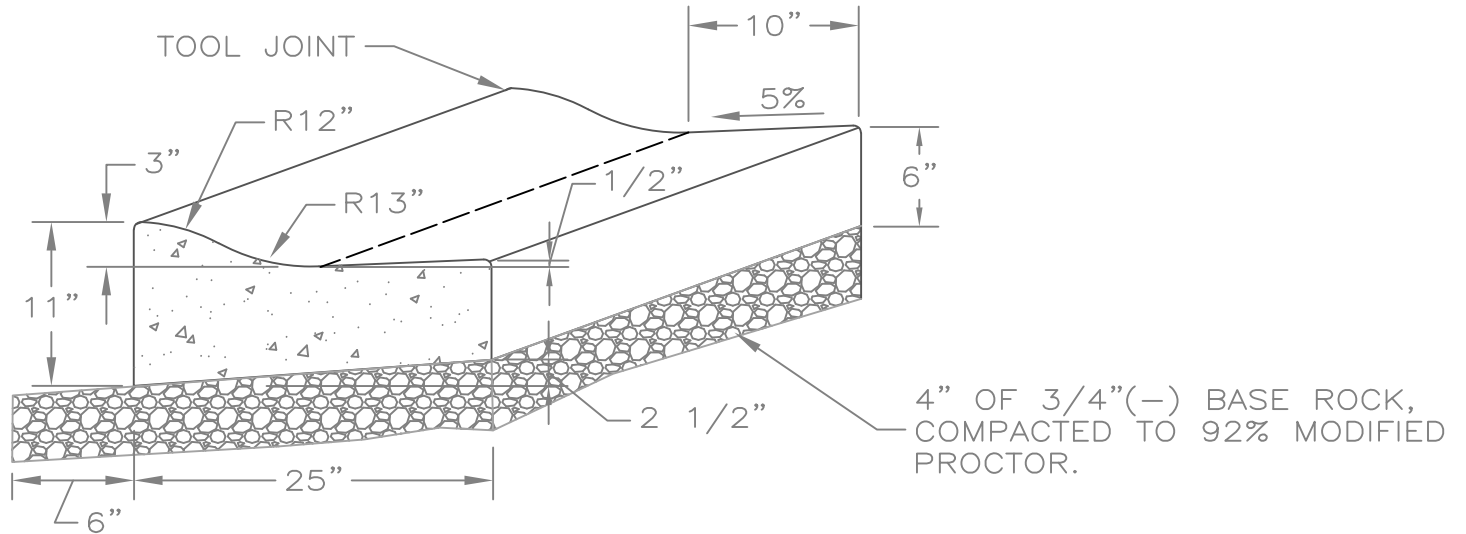


"DUMP" CURB OPTION



NOTES:

1. WHEN EXISTING CURB IS REMOVED, CARE SHALL BE TAKEN NOT TO DISTURB EXISTING PAVEMENT.
2. A BROOM FINISH IS REQUIRED.
3. FELT EXPANSION JOINTS ARE REQUIRED IN CURB AT RETURNS, COLD JOINTS AND CATCH BASINS. WEAKENED PLANE JOINTS ARE REQUIRED EVERY TEN FEET AND SHALL ALIGN WITH SIDEWALK JOINTS.
4. FILLET ALL EXPOSED CORNERS WITH A RADIUS OF 1/2"

APPROVED BY:

POST FALLS STANDARDS FOR PUBLIC WORKS CONSTRUCTION

[Signature] 3/19/19
CITY ENGINEER, P.E. DATE:

ROLLED CURB

STANDARD DRAWING
NO. SD 2011